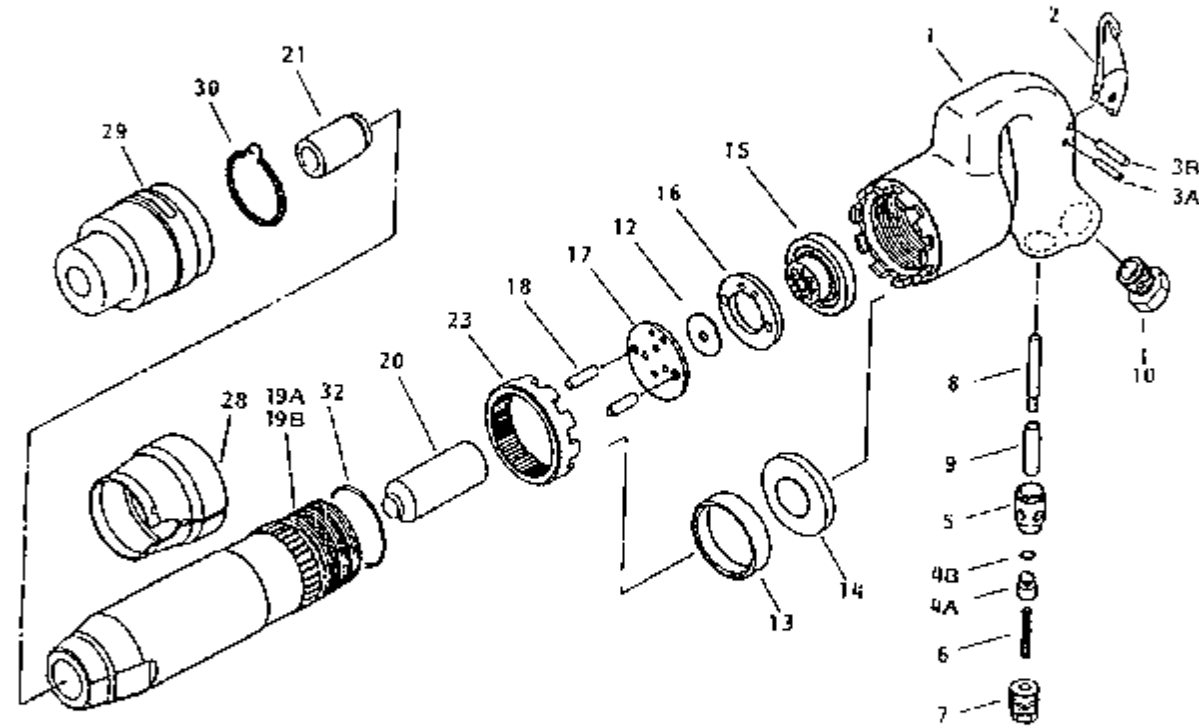




Toku THH-1,2,3,4 Chipping Hammer



Toku THH-1,2,3,4 Chipping Hammer

Index	Tamco	Harper	Jet	Description
1	Y10270010			Handle (Bare)
	Y1027001A			Handle CP (No. 1-10)
2	Y10212020	S729564	21A100200	Lever
3A	Y10212030	S729570	21A1003A0	Roll Pin 6 x 20
3B	Y30104030	S729563	21A1003B0	Roll Pin 5 x 20
4A	Y10212050	S729559 60504	21A1004A0	Throttle Valve
4B	Y10212060	S729304	21A1004B0	Throttle O-Ring P-7
5	Y10212070	HH-603	21A100500	Throttle Valve Bushing
6	Y10301070	S729558	21A100600	Throttle Valve Spring
7	Y10212090	S729557	21A100700	Throttle Valve Cap
8	Y10212100	S729561 S729561HARP	21A100800	Push Rod Push Rod for Harper and Toku
9	Y10212110	60509	21A100900	Push Rod Sleeve
10	Y10212120		21A10100	Screw Bushing NPT
11	Y10246140	60537	21A11300	Ring Valve
12	Y10270120			Plate Valve
13	Y10270130			Valve Seat
14	Y10274140			Cylinder THA-1B
	Y10276140			Cylinder THA-2B
	Y10270140			Cylinder THA-3B
	Y10278140			Cylinder THA-4B
15	Y10212320	4179	21A103200	O-Ring P-50
16	Y10212210	60520	21A102000	Piston THA-1B
	Y10214210	S729572	21A202200	Piston THA-2B
	Y10216210	S729573	21A302000	Piston THA-3B
	Y10218210	S729574	21A402000	Piston THA-4B
17	Y10270170			Clutch
18	Y30112200			Exhaust Band
19H	Y1021224H	S729586	21A1021H0	Shank Bushing (Hex)
19R	Y1021224R	S729585	21A1021R0	Shank Bushing (Round)
20	T25119002	S729583 T25119002	21A122900	Retainer
21	Y10212300	S729584	21A123000	Retainer Spring
	Y10216210	S729573	21A302000	Piston for THH-3B
	Y10218210	S729574	21A402000	Piston for THH-4B
21	Y1021224H	S729586	21A1021H0	Shank Bushing (Hex)
	Y1021224R	S729585	21A1021R0	Shank Bushing (Round)
23	Y10212250	S729581	21A102300	Clutch
28	Y10212260	BHH-85	21A102800	Exhaust Band
29	T25119002	S729583 T25119002	21A122900	Retainer (Old Part# Y10212290)
30	Y10212300	S729584	21A123000	Retainer Spring
32	Y10212320	4179	21A103200	Cylinder O-Ring 9-50

****ALL PRICING IS SUBJECT TO CHANGE WITHOUT NOTICE****