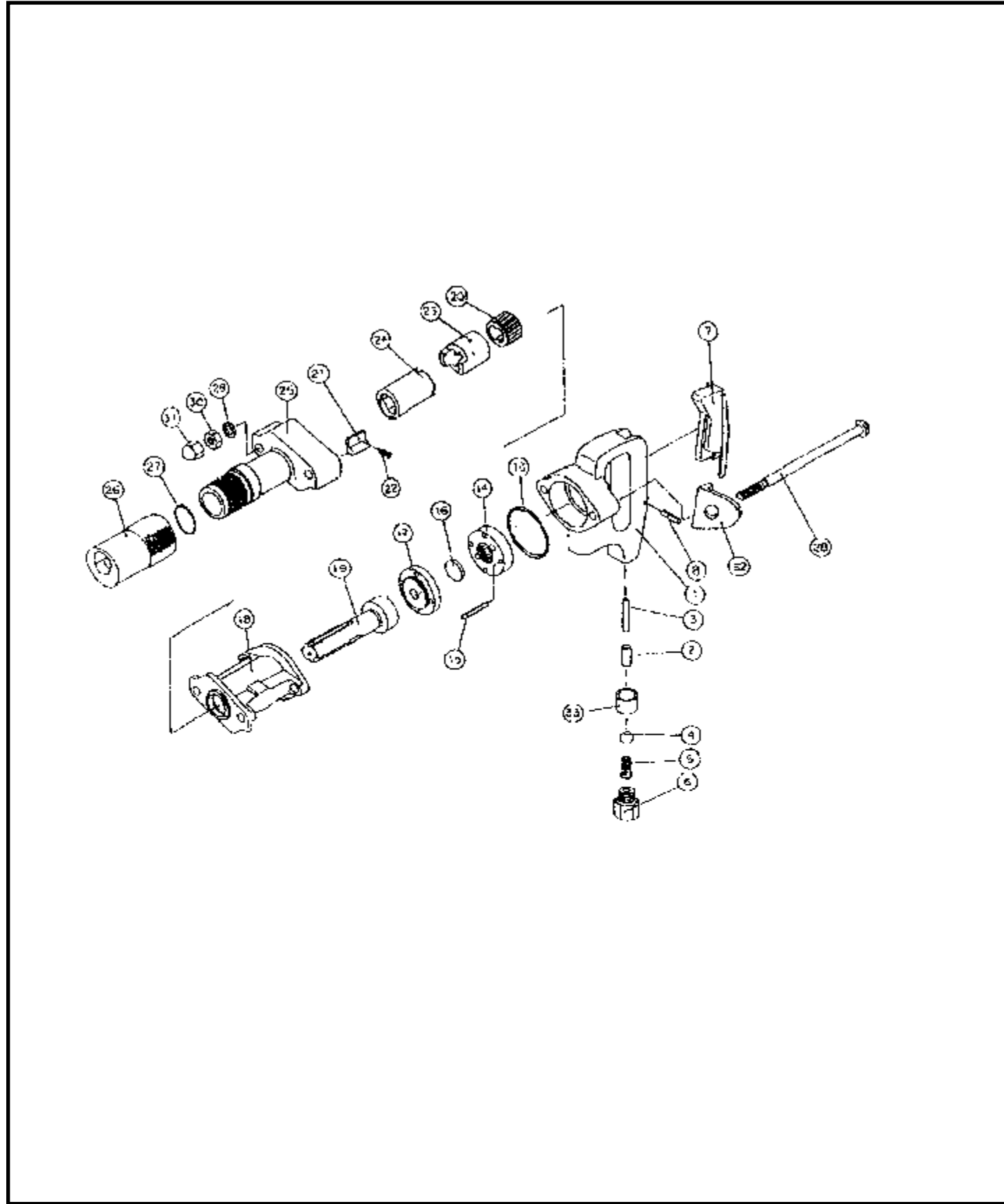




Toku THD-1100N Rock Drill



Toku THD-1100N Rock Drill

Index	Tamco	Jet	Description
1	Y10103010	Y10103010	Handle
	Y1010301A	Y1010301A	Handle CP
2	Y10103020	Y10103020	Throttle Valve Bushing
3	Y10103030	Y10103030	Push Rod
4	Y10103040	SB-1/2	Valve Ball
5	Y10601070	Y10601070	Inlet Valve Spring
6	Y10106060	Y10106060	Inlet Adapter NPT 3/8"
7	Y1010307A	Y1010307A	Throttle Lever
8	Y10103080	Y10103080	Spring Pin 6 x 24
13	Y10101140	Y10101140	O-Ring P-49
14	Y10103140	Y10103140	Valve Chest
15	Y10103150	Y10103150	Valve Knock Pin 5 x 20
16	Y10103160	Y10103160	Valve
17	Y10103170	Y10103170	Valve Seat
18	Y10113180	Y10103180	Cylinder
19	Y10103190	Y10103190	Piston
20	Y10113200	Y10103200	Ratchet Ring
21	Y10103210	Y10103210	Rotation Pawl (Non Reversible)
22	Y10103220	Y10103220	Pawl Spring
23	Y10113230	Y10103230	Guide Nut
24	Y10113240	Y10106240	Chuck
25	Y10113250	Y10106250	Front Cover
26	Y10106260	Y10106260	Closed Retainer
27	Y10106270	Y10106270	O-Ring P-42
28	Y10103280	Y10103280	Through Bolt
29	Y10103290	TS-1561071	Lock Washer
30	Y10103300	Y10103300	Hex Nut
31	Y10103310	Y10103310	Nut
32	Y10103350	Y10103350	Washer Sup-2
33	Y10106330	Y10106330	Valve Ring

****ALL PRICING IS SUBJECT TO CHANGE WITHOUT NOTICE****