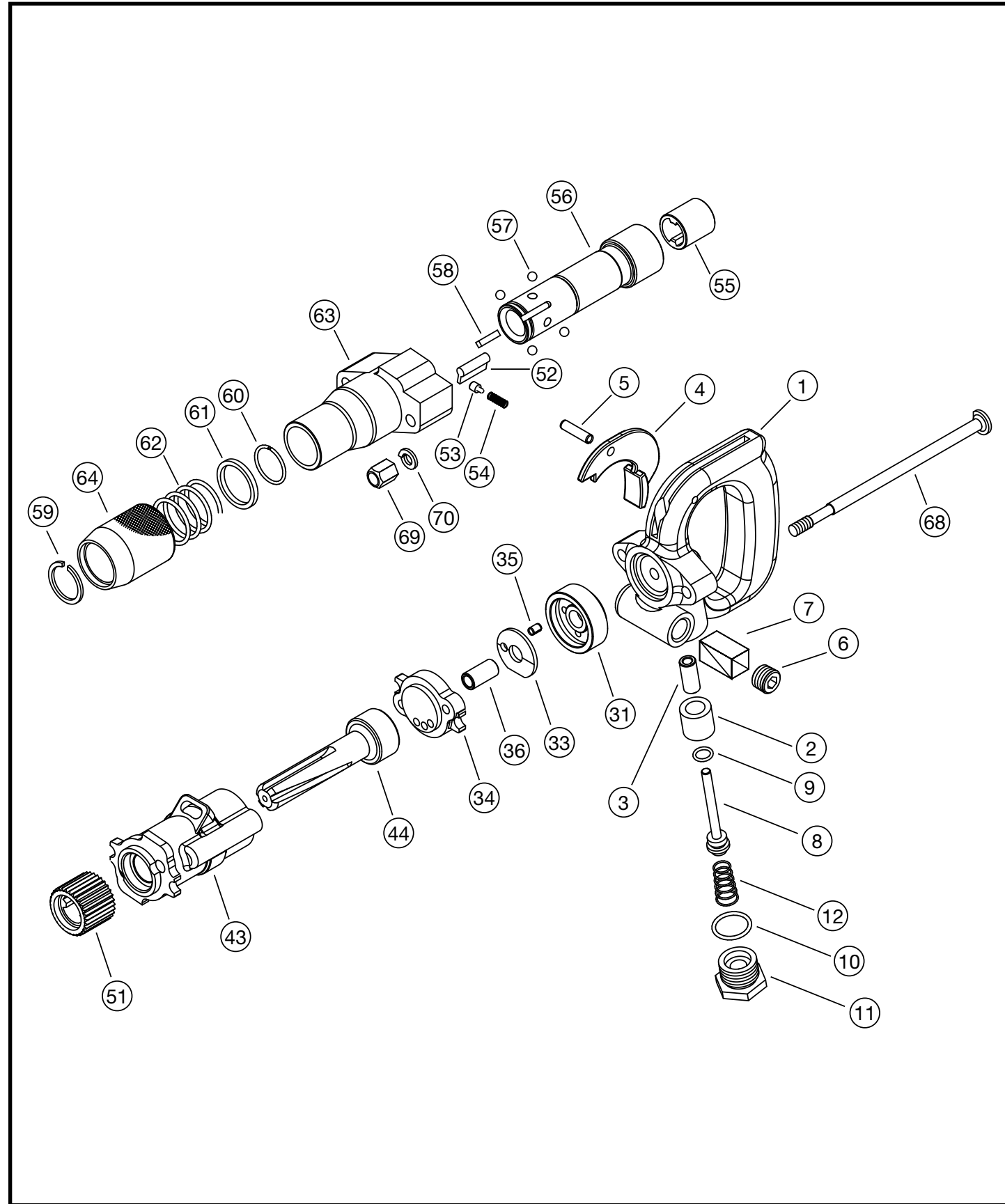




Toku TH-800 Rock Drill



Toku TH-800 Rock Drill

Index	Tamco	Harper	Jet	Description
1	430430A00	67101	RD7-01	Handle
2	430430D50	67109	RD7-09	Throttle Valve Bushing
3	430430N00	67110	RD7-10	Plunger Bushing
4	430430D40	67102	RD7-02	Lever (Throttle Lever)
5	130606025	67103	RD7-03	Cylinder Pin 6 x 25
6	134901003	67104	RD7-04	Hex Socket Head Plug PP-2 PT 3/8"
7	136303011	67105	RD7-05	Lubricator Felt
8	430430D60	67107	RD7-06	Throttle Valve
9	131108009	67108	RD7-08	O-Ring P-10A HS90
10	131101020			O-Ring P-22
11	430430M60	67111	RD7-11	Inlet Adaptor
12	130803062	67112	RD7-12	Valve Spring
31	430432C40	67142	RD7-13	Valve Chest
33	430432C00	67141	RD7-15	Valve
34	430432C2B	67145	RD7-16	Valve Seat (w/Plug)
35	130605008	67144	RD7-14	Spring Pin 5 x 8
36	430432C10	67143		Valve Guide
43	430430D00	67146	RD7-17	Cylinder
44	430430R70	67118	RD7-18	Piston
51	430442K40	67121	RD7-21	Ratchet Ring
52	430430K50	67126	RD7-26	Rotation Pawl (Reversible)
53	430432N20	67138	RD7-26A	Pawl Plunger
54	130803075	67125	RD7-25	Pawl Spring
55	430430L00	67122	RD7-22	Guide Nut
56	430432E90	67123	RD7-23	Chuck
57	430432L90	67131		Steel Ball (M6)
58	130409011	67136		Retainer Key
59	130803065	67139	RD7-28F	Retainer Spring Ring (Front)
60	130803064	67129	RD7-29R	Retainer Spring Ring (Rear)
61	430430L20	67128	RD7-28	Thrust Ring
62	130803066	67130	RD7-30	Retainer Spring
63	430430E5B		RD7-20	Front Cover CP
64	430430P20	67127	RD7-27	Steel Retainer (Ball Type)
68	131503041	67132	RD7-32	Through Bolt
69	134203012	67134	RD7-33	Side Rod Nut
70	131301008	67133	RD7-34	Spring Washer M8

****ALL PRICING IS SUBJECT TO CHANGE WITHOUT NOTICE****