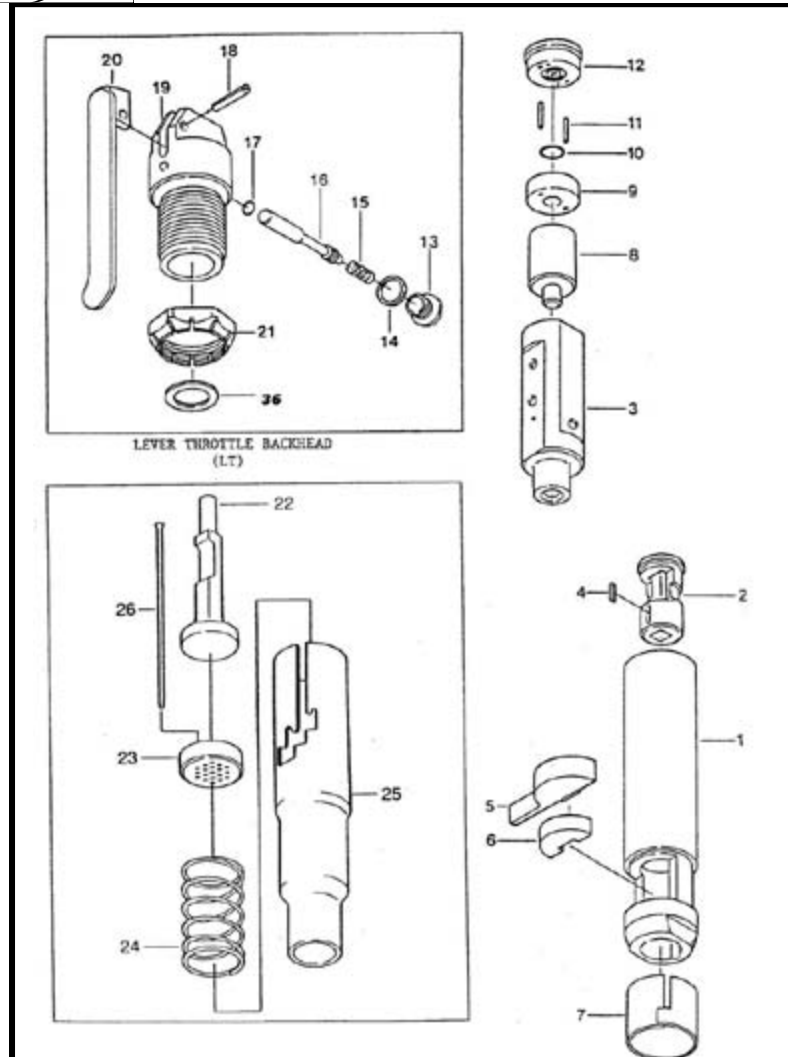




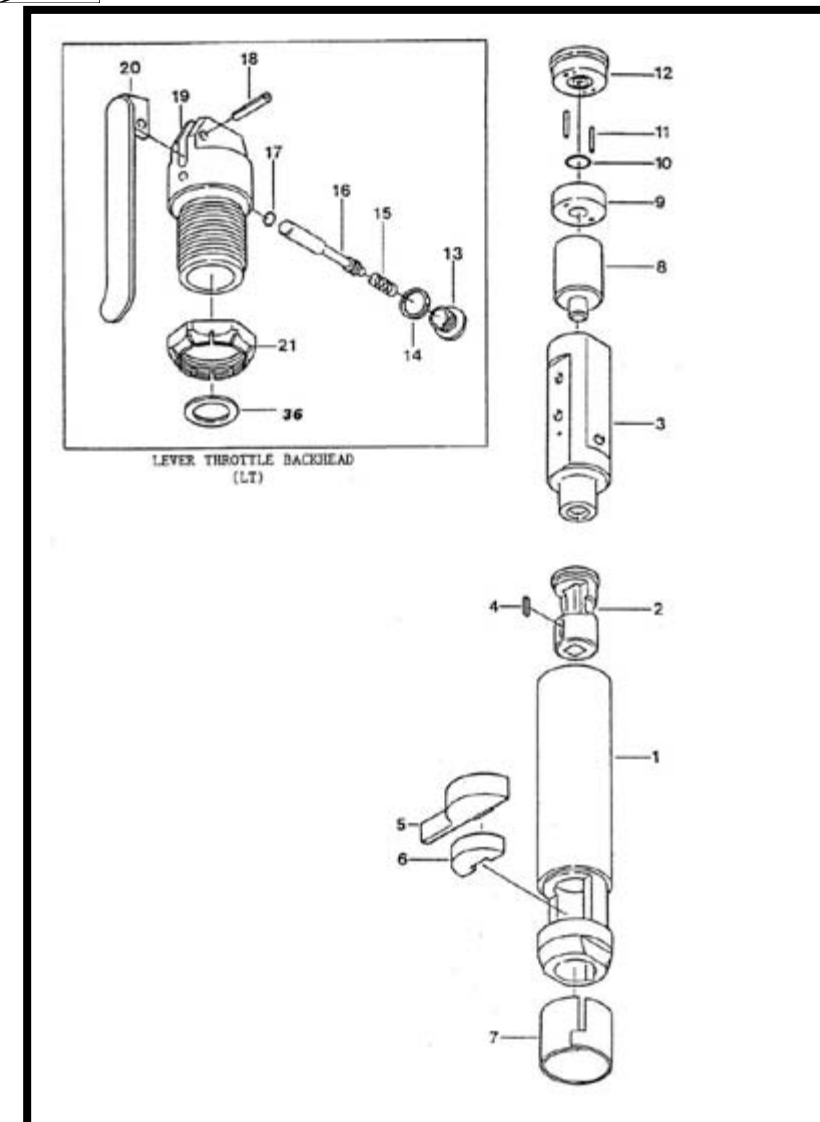
SF-A1L1 Cleco Needle Scaler



Index	Part No.	Description	Index	Part No.	Description
1	S832313	Barrel	15	S832078	Throttle Valve Spring
2	S832963	Tool Nose	16	S834782	Throttle Valve
3	S832700	Cylinder Sleeve	17	S844302	O-Ring
4	S842801	Tool Nose Key	18	S834848	Pin
5	S832956	Retainer	19	S834781	Lever type Backhead
6	S833527	Buffer Molded	20	S834780	Throttle Lever
7	S832554	Retainer Clip	21	S832882	Backhead Lock Nut
8	S832373	Plunger Piston	22	S834045	Needle Driver
9	S832508	Valve Block	23	S834046	Needle Holder
10	S832196	Flutter Valve	24	S834044	Needle Spring
11	S832126	Pin (2 Required)	25	S834779	Round Needle Tube
12	S832173	Valve Block Button	26	S834043	5" Needle (19 Per Set)
13	S832207	Throttle Valve Cap	27	S834024	7" Needle (19 Per Set)
14	S832636	Throttle Valve Gasket	36	S832947	Backhead Spacer
				SF-00300	Inlet Bushing



SF-A1L2 Cleco Style Scaler



Index	Part No.	Description	Index	Part No.	Description
1	S832313	Barrel	12	S832173	Valve Block Button
2	S832963	Tool Nose	13	S832207	Throttle Valve Cap
3	S832700	Cylinder Sleeve	14	S832636	Throttle Valve Gasket
4	S842801	Tool Nose Key	15	S832078	Throttle Valve Spring
5	S832956	Retainer	16	S834782	Throttle Valve
6	S833527	Buffer Molded	17	S844302	O-Ring
7	S832554	Retainer Clip	18	S834848	Pin
8	S832373	Plunger Piston	19	S834781	Lever Type Backhead
9	S832508	Valve Block	20	S834780	Throttle Lever
10	S832196	Flutter Valve	36	S832947	Backhead Spacer
11	S832126	Pin (2 Required)			

****ALL PRICING IS SUBJECT TO CHANGE WITHOUT NOTICE****