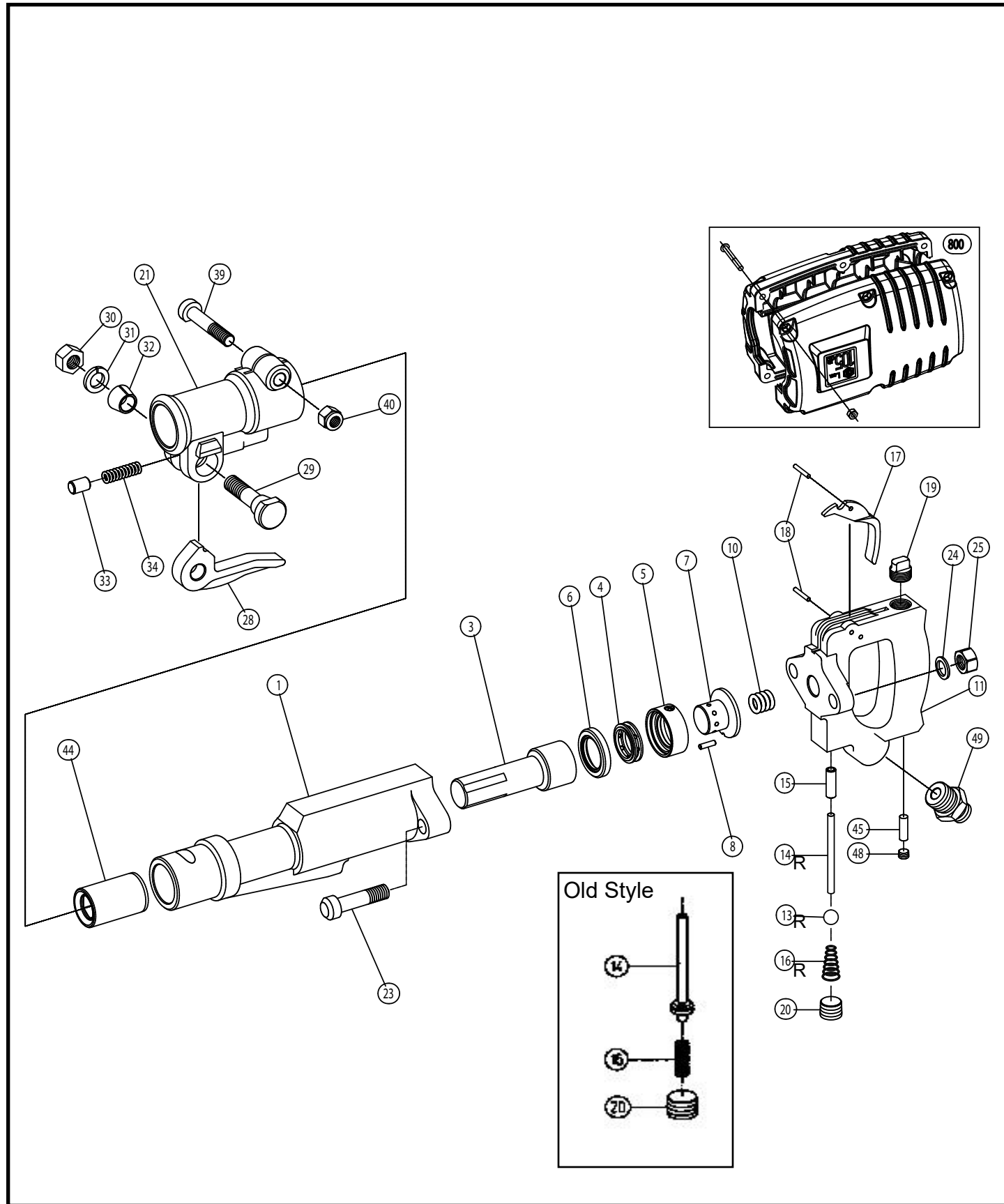




Toku TCD-20 Clay Digger



Toku TCD-20 Clay Digger

Index	Tamco	Harper	Thor	Jet	Description
1	410207010	62251	43763	CD20-1	Cylinder
3	410207040	62253	43762	CD20-3	Piston
4	410207150	62254	43764	CD20-4	Valve
5	410207190	62255	43766	CD20-5	Valve Chest
6	410207170	62256	43765	CD20-6	Valve Seat
7	410207200	62257	43767	CD20-7	Valve Guide
8	130401025	66308	43043	CD20-8	Valve Chest Dowel Pin
10	130801023	66310	43042	CD20-10	Plunger Spring
11	410207480	62261	43771	CD20-11	Back Head
13R	130505036^				Polyurethane Ball 9/16" Retro
14	410207270	62252	43772	CD20-14	Throttle Valve
14R	410207E00^				Throttle Pin
15	410221300	62258	86852	CD20-15	Throttle Valve Stem Guide
16	130801024			CD20-16	Throttle Valve Spring
16R	130801030^				Throttle Valve Spring
17	410207120	62262	61963	CD20-17	Lever
18	130401024	62259	71840	CD20-18	Lever Pin
19	410211770			CD20-19	Oil Plug
20	134904004			CD20-20	GD Plug (NPTF 1/2")
21	410201530	66321	43783 43753	CD20-21	Front Head
23	410207500	62260		CD20-23	Back Head Bolt
24	131313114	62217	43758	CD20-24	Conical Spring Washer M14
25	134201015	62218	43756	CD20-25	Back Head Bolt Nut
28	410201610	66328	43784	CD20-28	Steel Retainer
29	410201621	66329	43787	CD20-29	Steel Retainer Bolt
30	134601016	66330	43790	CD20-30	Nylon Nut
31	131301116	66331	43143	CD20-31	Spring Washer M16
32	410201640	66332	43786	CD20-32	Steel Retainer Bolt Bushing
33	410201650	66333	43788	CD20-33	Steel Retainer Plunger
34	130801028	66334	43785 43754	CD20-34	Steel Retainer Spring
39	410201540	66339	47947	CD20-39	Front Head Bolt
40	134201012	66340	91126 43759	CD20-40	Nylon Nut (UNF 1/2")
44	410207570	62263	43746	CD20-44	Front Head Bushing
45	136101011	66345	43473	CD20-45	Oil Control Felt
48	134903001	66320		CD20-48	GDL Plug (NPTF 1/8")
49	410207360	62250		CD20-49	Air Inlet
800	41020787G				Muffler

^ Retro fit parts 14R, 16R, and 22R can be used in place of set 14/16. Please see schematic.

****ALL PRICING IS SUBJECT TO CHANGE WITHOUT NOTICE****